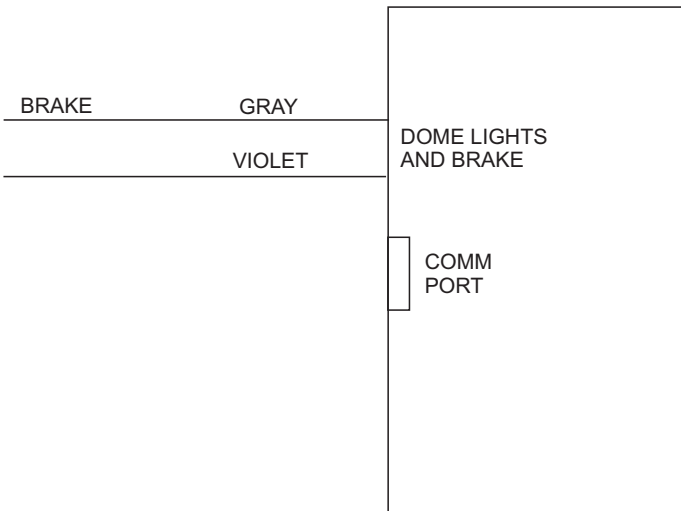


EP1

SEE SHEET 2  
(EP1 DOME LIGHT  
HARNESS DRAWING)



GREEN	(GROUND OUTPUT)	HORN
BROWN	(INPUT)	SIGNAL - RED LIGHTS
BLUE	(INPUT)	GROUND SIDE BUZZER
YELLOW	(INPUT)	IGNITION 12V
BLACK		GROUND
RED		BATTERY

NO.	REVISION	ECN	BY	DATE	CHK.	APP.

NOTE: TOLERANCES UNLESS OTHERWISE SPECIFIED

FOR ANGULAR DIMENSIONS ± 0° 30'  
 FOR DECIMAL DIMENSIONS X.XXX ± 0.005"  
 FOR DECIMAL DIMENSIONS X.XX ± 0.010"  
 FOR HOLE LOCATIONS ± 1/32"  
 FOR OTHER DIMENSIONS ± 1/16"

ARE TO BE NON-CUMULATIVE

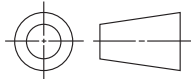


*and check!*

Child Check-Mate Systems Inc.

EP1

ALL OF THE INFORMATION CONTAINED ON THIS DOCUMENT IS THE EXCLUSIVE CONFIDENTIAL PROPERTY OF THE CHILD CHECK-MATE CORPORATION. THIS DOCUMENT IS DISCLOSED WITH THE UNDERSTANDING THAT IT WILL BE RETAINED IN CONFIDENCE, AND RETURNED UPON DEMAND. IT IS NOT TO BE DUPLICATED, COPIED REPRODUCED OR DELIVERED TO OTHERS, IN WHOLE OR IN PART. NOR IS THE PROPRIETARY INFORMATION CONTAINED HEREIN TO BE USED FOR ANY PURPOSE OTHER THAN THAT FOR WHICH IT IS BEING DISCLOSED.



THIRD ANGLE PROJECTION

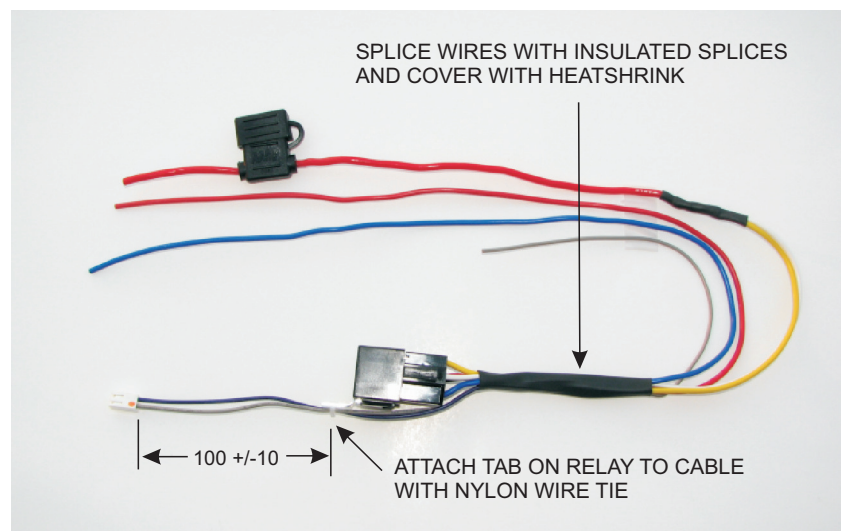
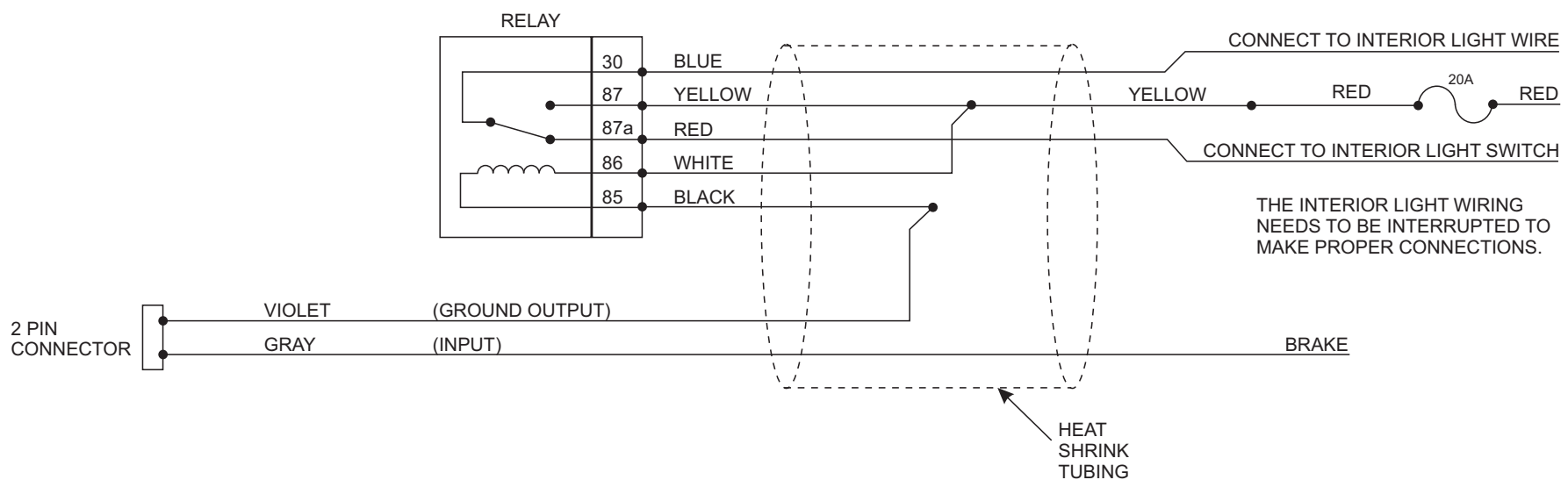
DRAWN BY:	K.T.
CAD DISC FILE:	
LAST DISC REV.:	
LAST PLOT DATE:	
SCALE	PLOT SCALE

PROJ. NO.

DWG. NO.

SHEET 1 OF 2 REV. 01

#	ITEM	QTY.	DESCRIPTION	DET	PART #	WT
---	------	------	-------------	-----	--------	----



**NOTE: TOLERANCES UNLESS OTHERWISE SPECIFIED**

FOR ANGULAR DIMENSIONS ± 0° 30'

FOR DECIMAL DIMENSIONS X.XXX ± 0.005"

FOR DECIMAL DIMENSIONS X.XX ± 0.010"

FOR HOLE LOCATIONS ± 1/32"

FOR OTHER DIMENSIONS ± 1/16"

ARE TO BE NON-CUMULATIVE

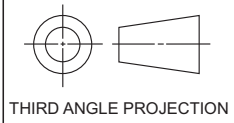
A	RELEASED					
	NO.	REVISION	ECN	BY	DATE	CHK. APP.



**Child Check-Mate Systems Inc.**

**EP1 UPGRADE DOME LIGHT HARNESS**

ALL OF THE INFORMATION CONTAINED ON THIS DOCUMENT IS THE EXCLUSIVE CONFIDENTIAL PROPERTY OF THE CHILD CHECK-MATE CORPORATION. THIS DOCUMENT IS DISCLOSED WITH THE UNDERSTANDING THAT IT WILL BE RETAINED IN CONFIDENCE, AND RETURNED UPON DEMAND. IT IS NOT TO BE DUPLICATED, COPIED REPRODUCED OR DELIVERED TO OTHERS, IN WHOLE OR IN PART. NOR IS THE PROPRIETARY INFORMATION CONTAINED HEREIN TO BE USED FOR ANY PURPOSE OTHER THAN THAT FOR WHICH IT IS BEING DISCLOSED.



DRAWN BY:	WHT
CAD DISC FILE:	
LAST DISC REV.:	
LAST PLOT DATE:	
SCALE	PLOT SCALE

PROJ. NO.	
-----------	--

DWG. NO.		SHEET 1 OF 1	REV. 01
----------	--	--------------	---------